

OIML test certificate no. D09-05.19

OIML C of C no. R60/2000-CN1-06.05



Capacity	Accuracy	Part-Number
250 kg	C3 <sup>1</sup>	B8D-C3-250kg-6B-SC(-W6)
0.5 t	C3	B8D-C3-0.5t-6B-SC(-W6)
1 t	C3	B8D-C3-1t-6B-SC(-W6)
2 t	C3	B8D-C3-2t-6B-SC(-W6)
5 t	C3	B8D-C3-5t-6B-SC(-W6)

- Stainless steel IP67 shear beam load cell
- Suitable for floor scales, automobile test facilities, hopper scales, and other electronic weighing devices
- Metric and Imperial capacities and dimensions

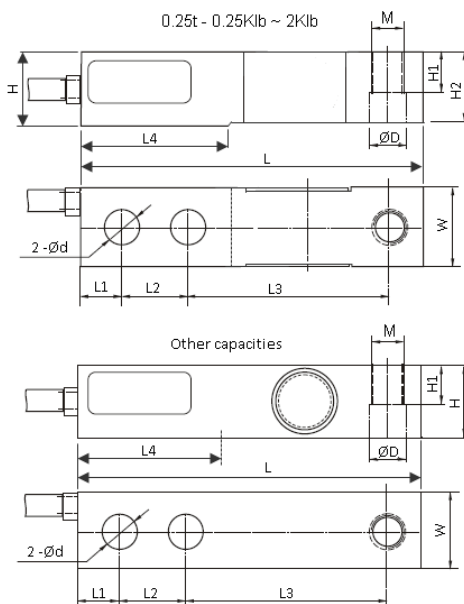


## Specification:

Accuracy class		C3	OIML R60 C3	N5
Output sensitivity (= FS)	mV/V			3.0 ± 0.008
	t	0.25	0.5, 1, 2	5
Maximum capacity ( E <sub>max</sub> )	lbs			250, 500, 750, 1k, 1.5k, 2k, 2.5k, 3k, 4k, 5kSE, 5k, 7.5k, 10k, 15k, 20k
Maximum number of load cell intervals ( n <sub>LC</sub> )			3000	
Ratio of minimum LC verification interval Y = E <sub>max</sub> / V <sub>min</sub>		10000	7500	9000
Combined Error	%FS			± 0.0200
Minimum dead load	kg			0
Safe overload	of E <sub>max</sub>			150 %
Ultimate overload	of E <sub>max</sub>			300 %
Zero balance	of FS			< ± 1.0 %
Excitation, recommended voltage	V			5 ~ 12
Excitation maximum	V			18
Terminal resistance, input	Ω			350 ± 3.5
Terminal resistance, output	Ω			350 ± 3.5
Insulation impedance	MΩ			≥ 5000 ( at 50VDC )
Temperature range, compensated	°C			-10 ~ +40
Temperature range, operating	°C			-35 ~ +65
Element material				Stainless steel
Ingress Protection (according to EN 60529)				IP67
Recommended torque on fixation bolts	Nm		M12:100	M18:200 M24:700
ATEX classification (optional)		II1G Ex ia II1C T4	II1D Ex ia D0 T73°C	II3G nL IIC T4

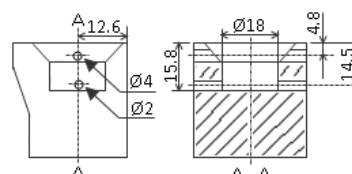
Note 1: 250 kg OIML approval pending

## Outline Dimensions in mm

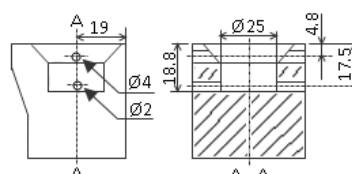


Capacity	L	L1	L2	L3	d	H	W	D	H1	L4	H2	M
0.25t 250lb,500lb, 750lb,1k,2k	130 (5.12)	15.7 (0.62)	25.4 (1.0)	76.2 (3.0)	13.46 (0.53)	30.2 (1.19)	30.7 (1.20)	13.4 (0.53)	14.23 (0.56)	57.15 (2.25)	28.45 (1.12)	M12-6H 1/2-20UNF-2B
0.5t,1t,2t 2.5k,3k, 4k,5kSE	130 (5.12)	15.7 (0.62)	25.4 (1.0)	76.2 (3.0)	13.4 (0.52)	31.32 (1.23)	31.32 (1.23)	13.4 (0.53)	15.57 (0.61)	54 (2.12)		M12-6H 1/2-20UNF-2B
5t 5k,7.5k 10k,15k	171 (6.73)	19 (0.75)	38.1 (1.5)	95.2 (3.75)	20.65 19.8 (0.78)	36.8 (1.45)	36.8 (1.45)	20.65 19.8 (0.78)	17.78 (0.7)	76 (2.99)		M20X2.5-6H 3/4-16UNF-2B
20K	222.25 (8.75)	25.4 (1.0)	50.8 (2.0)	120.7 (4.75)	26.9 (1.06)	49.5 (1.95)	49.5 (1.95)	27.56 (1.08)	24.78 (0.97)	100 (3.95)		1-12UNF-2B

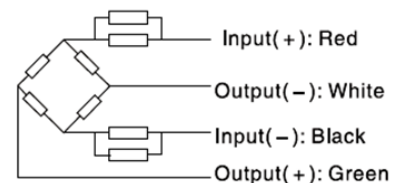
Part number B8D-XX(-)XX(-)XX-W6  
Capacity: 250lb-5kSE, 250kg-2t



Capacity: 5K-10K, 5t



L4 is the recommended length for foot support.



### Wiring:

- Shielded, 4 conductor cable.
- Cable: Ø5 mm.
- Standard cable length: 6m.
- Cable type and cable length for customer's own application are available on request.
- Shield not connected to element.

Please visit our website [WWW.ZEMIC.NL](http://WWW.ZEMIC.NL) for the most actual information.

Nr. 2011.07 B8D Rev4